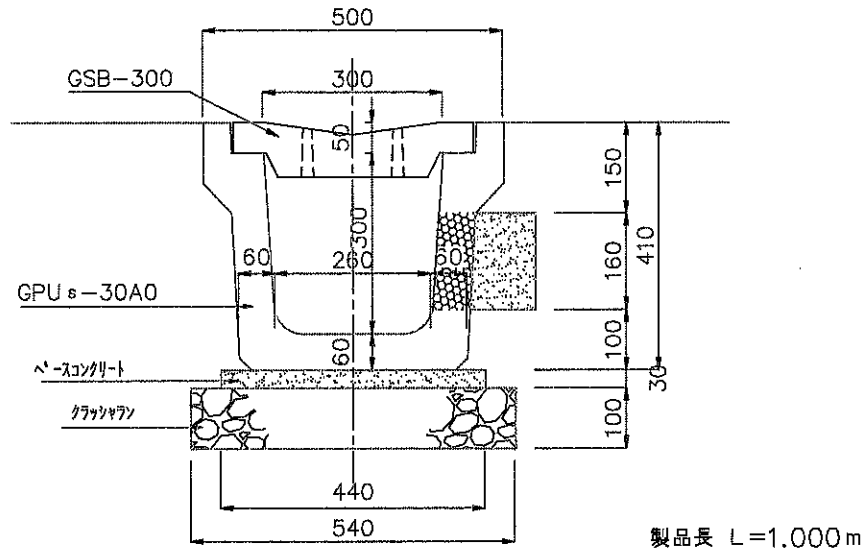


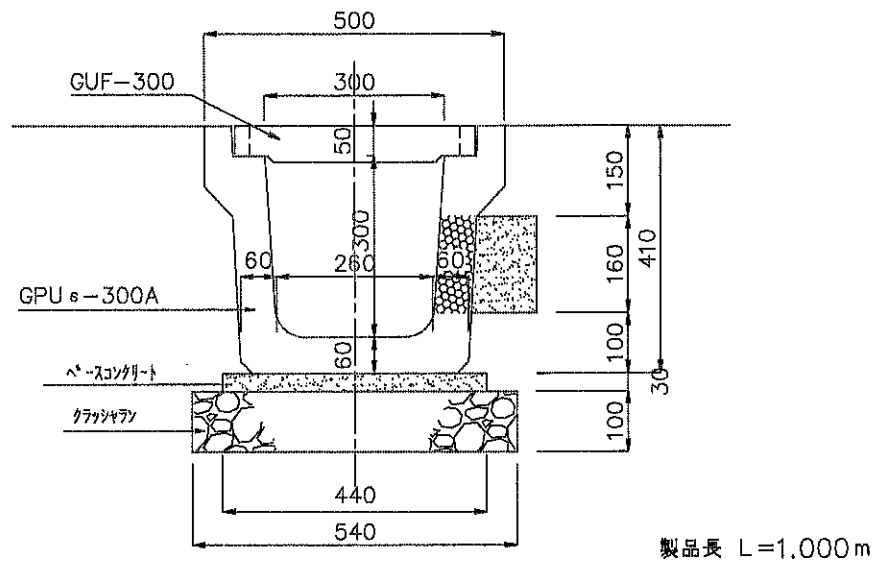
透水側溝GPU_s-300構造図

S = 1 / 10



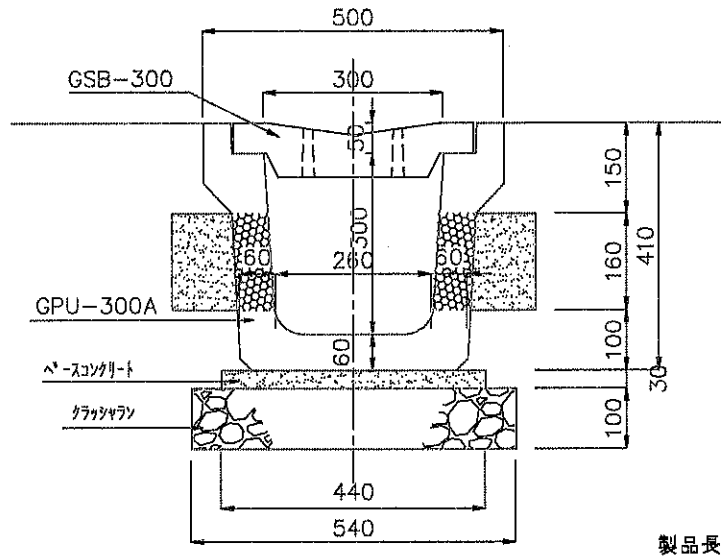
透水側溝GPU_s-300構造図

S = 1 / 10



透水側溝GPU-300構造図

S = 1 / 10



透水側溝GPU-300構造図

S = 1 / 10

