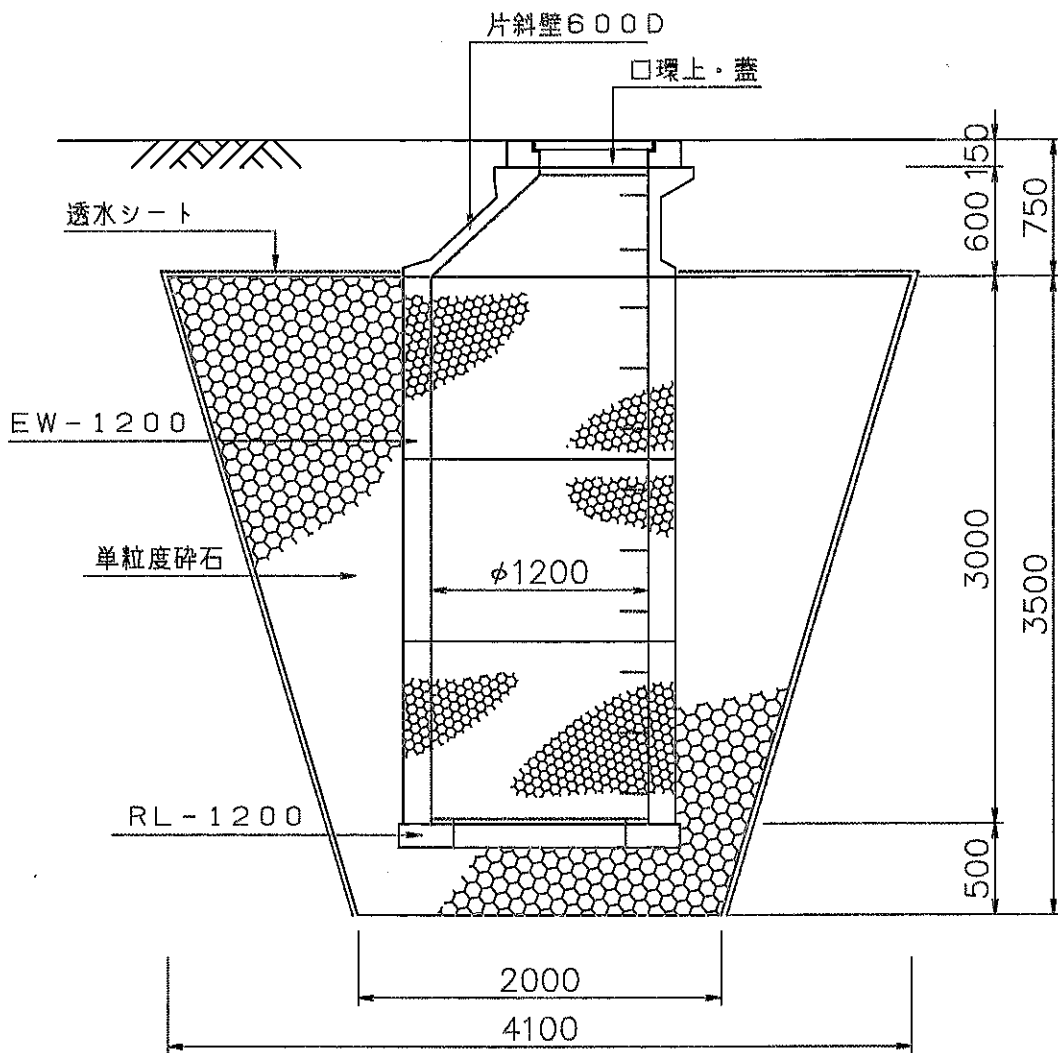


浸透井戸 EW-1200 (3段積) S=1/40



浸透井戸 EW-1200 (3段積) S=1/40

